

**NEW!**

## The First Universal Cable Pass Thru, Fastening and Anchor System

Conceal  
Sound Bar &  
A/V Cables behind the wall

Ultra  
Low-Profile  
1/10th" Thin  
(.1")

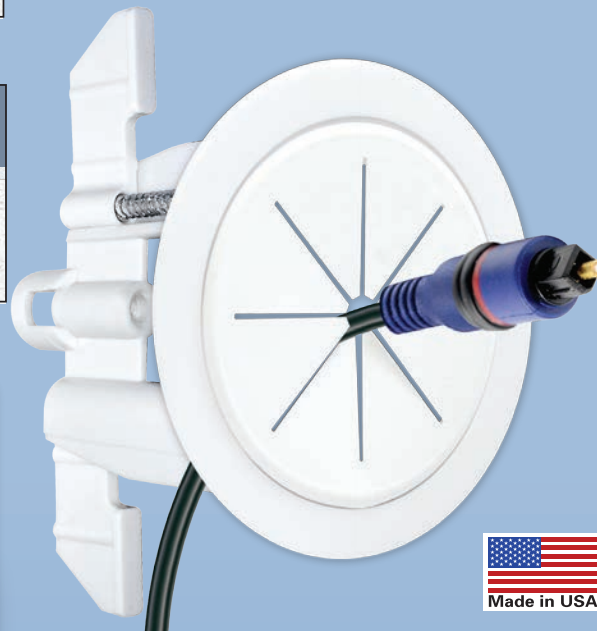


Complete your custom installation with MIDLITE's  
**Power Jumper**  
All-in-One  
HDTV Power  
Relocation Kit

22APJW-7R

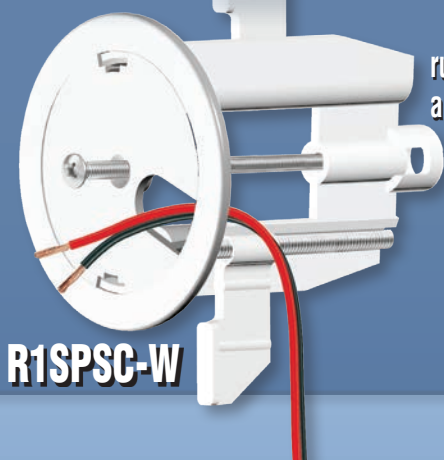
Use for :

- Box Speakers on Wall
- Sound Bars
- Wireless Access Devices
- Security Cameras
- Any other Device needed to be hung on a wall or ceiling with cable pass thru and mounting



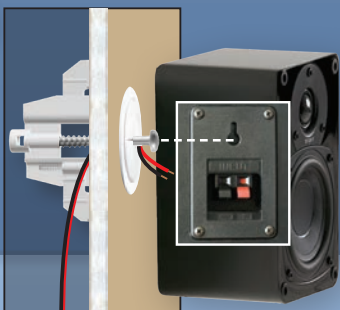
## SPEEDPORT<sup>SC</sup>™

Added Strength for wall mounting heavier devices



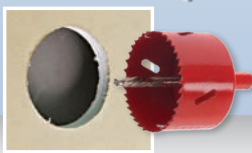
R1SPSC-W

- Snap-In Screw Cap replaces rubber grommet for wall hanging applications, supports up to 30lbs



### Quick & Simple Installation

Multiple Patents Pending



1. Hole Saw Cut



2. Mount



Low Voltage Bracket Not Required



3. Pass Thru Cables

Color	2 5/16" Diameter Hole Size (dia.) - 1.36" Hole Area (sq. in.) - 1.45" Hole Saw (dia.) - 2"		2 3/4" Diameter Hole Size (dia.) - 1.8" Hole Area (sq. in.) - 2.54" Hole Saw (dia.) - 2 3/8"	
	Single	Contractor Pack 10/100	Single	Contractor Pack 5/50
white	R1SP-W	1SP-W	R2SP-W	2SP-W
black	R1SP-B	1SP-B	R2SP-B	2SP-B
almond	R1SP-A	1SP-A	R2SP-A	2SP-A
light almond	R1SP-LA	1SP-LA	R2SP-LA	2SP-LA
ivory	R1SP-I	1SP-I	R2SP-I	2SP-I
brown	R1SP-BR	1SP-BR	R2SP-BR	2SP-BR

Call 800.606.5169

www.midlite.com



# MIDLITE®

QUALITY CUSTOM PRODUCTS

**NEW!**

# SPEED PORT™

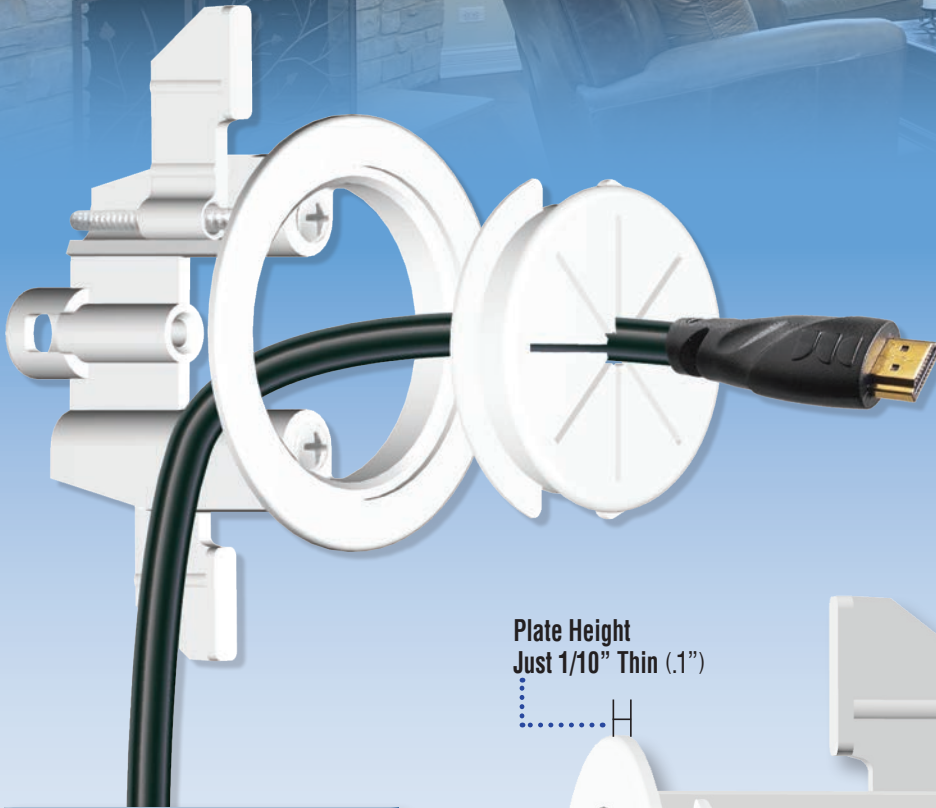


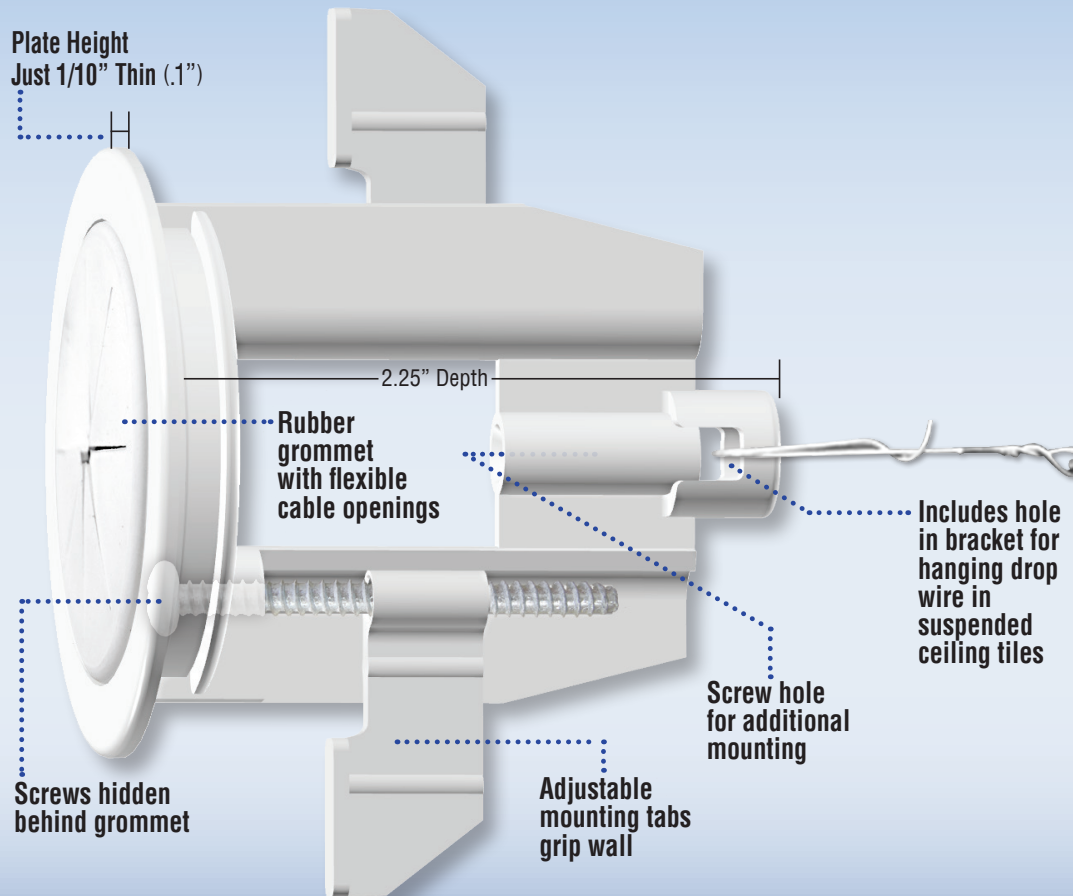
Plate Height  
Just 1/10" Thin (.1")

### Single Gang Speed Port™

Part No.	Color	Plate Size (Dia.)	Hole Size (Sq. In.)
1SP-W	White	2 5/16"	2"
1SP-A	Almond		
1SP-LA	Light Almond		
1SP-I	Ivory	2"	2"
1SP-B	Black		
1SP-BR	Brown		

### Double Gang Speed Port™

Part No.	Color	Plate Size (Dia.)	Hole Size (Sq. In.)
2SP-W	White	2 3/4"	2 3/8"
2SP-A	Almond		
2SP-LA	Light Almond		
2SP-I	Ivory	2 3/8"	2 3/8"
2SP-B	Black		
2SP-BR	Brown		



Call 800.606.5169 [www.midlite.com](http://www.midlite.com)